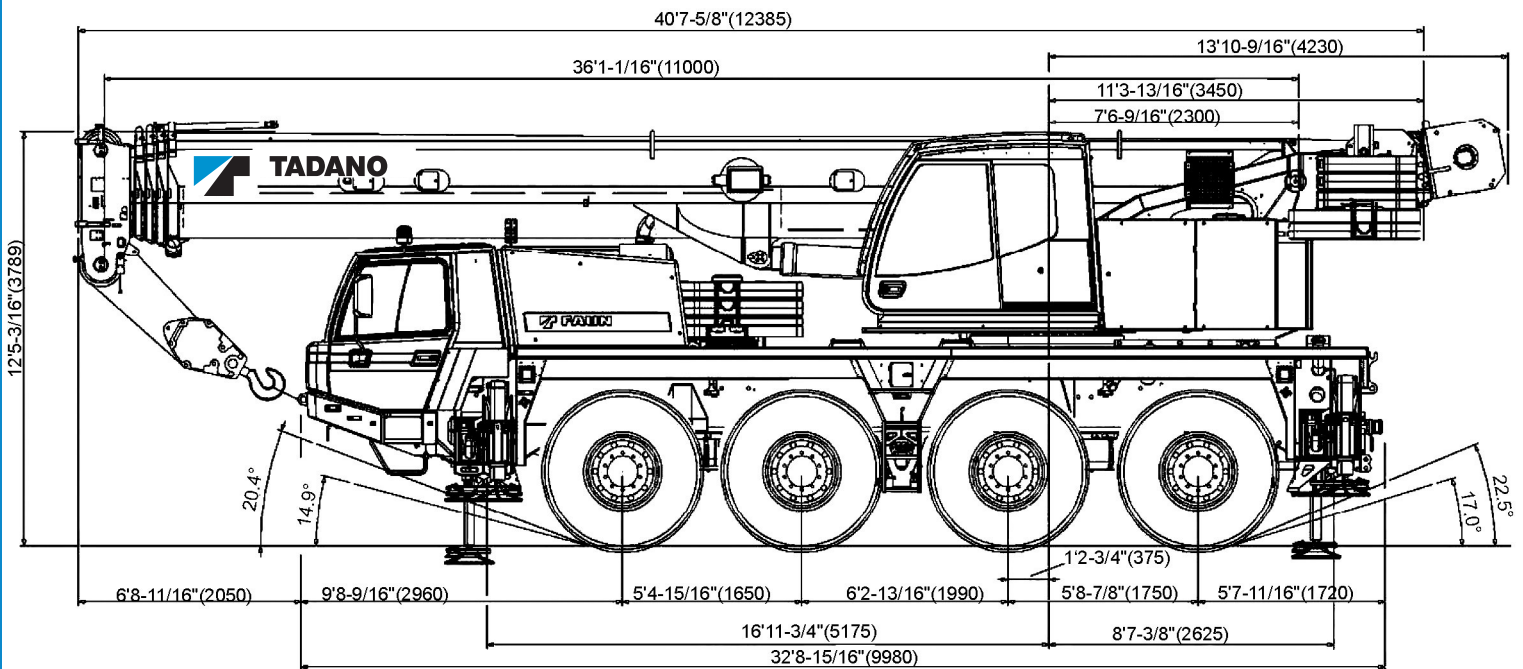


ATF65G-4

75 Ton Capacity (68.2 Metric Tons)

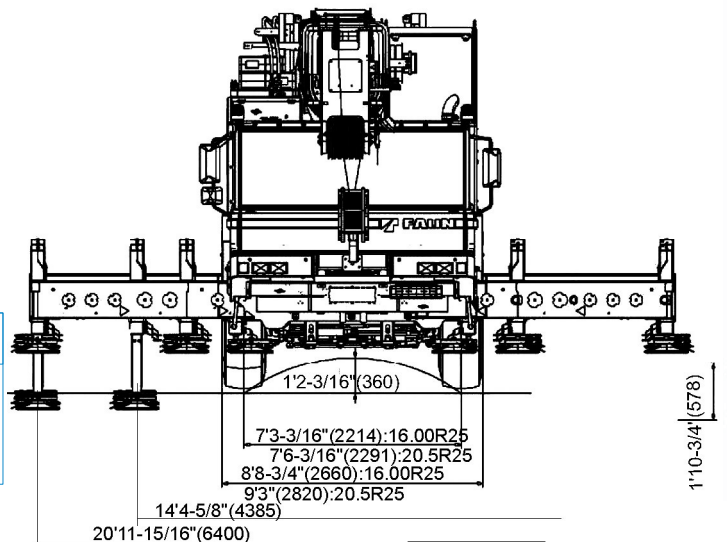
ALL TERRAIN CRANE

DIMENSIONS

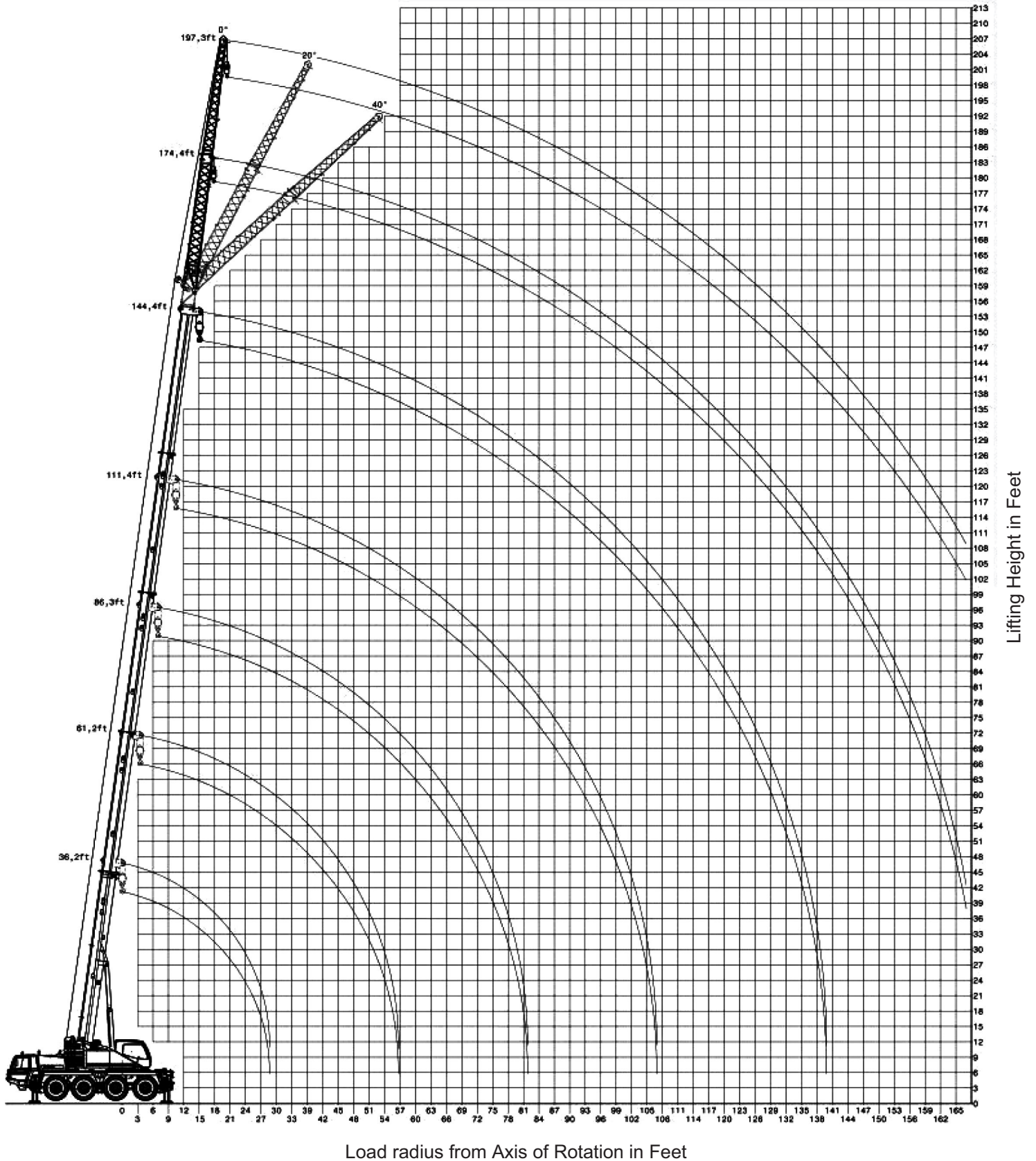


TURNING RADIUS

Steering	Front wheel (8x6)	All wheel (8x8)
Carrier inside	16' 1-5/16" (4.91m)	11' 3-5/16" (3.437m)
Over carrier	32' 3-13/16" (9.85m)	27' 5-1/2" (8.37m)
Over boom	35' 5-3/16" (10.8m)	31' 3-9/16" (9.54m)
Over boom extension	37' 6" (11.43m)	33' 7/16" (10.07m)



ATF65G-4 WORKING RANGE CHART



Load radius from Axis of Rotation in Feet

NOTE: Boom and jib geometry shown are for unloaded condition and machine standing level on firm supporting surface. Boom deflection and subsequent radius and boom angle change must be accounted for when applying load to hook.

ATF65G-4 TADANO-Load rating chart

Counterweight 33,069 lbs

Working Radius (ft)		Lifting capacities in 1,000 lbs according per SAE J765 on telescopic boom																		Working Radius (ft)	
		On outriggers, 360° working area																			
		Outrigger base 21.00 ft																			
		Boom length (ft)																			
		36.1	48.6	48.6	48.6	61.4	61.4	61.4	61.4	61.4	73.8	73.8	73.8	73.8	73.8	73.8	73.8	73.8	73.8		
		° L	° L	° L	° L	° L	° L	° L	° L	° L	° L	° L	° L	° L	° L	° L	° L	° L	° L		
8	69	150.0*																		8	
9	68	133.4*																		9	
10	66	122.1	119.7	73	109.6	73	70.5	73	70.2	77	88.2	77	82.1	77	70.5	77	70.5	77	51.7	10	
12	62	110.4	106.6	69	101.1	69	70.5	69	65.8	75	88.2	75	75.4	75	70.5	75	69.9	75	47.5	12	
14	58	99.9	95.6	67	92.0	67	70.5	67	61.5	73	86.8	73	69.7	73	70.5	73	66.1	73	44.0	14	
16	54	88.3	85.4	64	84.4	64	70.5	64	57.8	70	81.2	70	64.7	70	70.5	70	61.5	70	40.9	16	
18	50	78.3	76.9	62	76.6	62	70.5	62	54.6	69	74.8	69	60.5	69	69.3	69	57.6	69	38.3	18	
20	45	69.3	69.1	59	68.8	59	69.5	59	51.6	67	68.4	67	56.6	67	67.2	67	54.0	67	35.8	20	
25	30	54.2	54.2	52	54.0	52	54.9	52	45.8	61	53.7	61	49.1	61	55.0	61	47.0	61	31.1	25	
30				43	43.8	43	44.5	43	41.3	55	43.3	55	43.0	55	44.7	55	41.5	55	27.5	30	
35				33	37.0	33	38.1	33	37.9	49	36.6	49	36.9	49	38.1	49	37.3	49	24.6	35	
40				17	30.4	17	31.3	17	32.0	42	30.0	42	30.4	42	31.7	42	33.1	42	22.3	40	
45										34	25.0	34	25.2	34	26.4	34	27.7	34	20.4	45	
50										21	21.2	21	21.4	21	22.3	21	23.7	21	19.0	50	
55																			35	55	
60																			26	60	
65																			12	65	
70																				70	
75																				75	
80																				80	
85																				85	
90																				90	
95																				95	
100																				100	
110																				110	
120																				120	
130																				130	
		Telescoping sequence %																			
Tel. 1	0	0	0	0	0	46	0	0	0	0	93	46	46	0	0	0	0	0	93	Tel. 1	
Tel. 2	0	46	0	0	46	93	46	0	0	0	46	93	46	46	0	0	0	0	46	Tel. 2	
Tel. 3	0	0	46	0	0	0	46	46	0	0	0	0	46	46	46	0	0	46	46	Tel. 3	
Tel. 4	0	0	0	46	0	0	0	0	46	93	0	0	0	0	46	93	0	0	46	Tel. 4	

1) Over rear with superstructure pin engaged.

* With additional equipment.

Counterweight 33,069 lbs

Working Radius (ft)		Lifting capacities in 1,000 lbs according per SAE J765 on telescopic boom																		Working Radius (ft)	
		On outriggers, 360° working area																			
		Outrigger base 14.44 ft																			
		Boom length (ft)																			
		36.1	48.6	48.6	48.6	61.4	61.4	61.4	61.4	61.4	73.8	73.8	73.8	73.8	73.8	73.8	73.8	73.8	73.8		
		° L	° L	° L	° L	° L	° L	° L	° L	° L	° L	° L	° L	° L	° L	° L	° L	° L	° L		
8	69	123.8																		8	
9	68	115.4																		9	
10	66	107.2	73	106.9	73	70.5	73	70.2	77	88.2	77	82.1	77	70.5	77	70.5	77	51.7		10	
12	62	94.0	69	93.8	69	70.5	69	65.8	75	87.8	75	75.4	75	70.5	75	69.9	75	47.5	78	12	
14	58	83.3	67	83.2	67	70.5	67	61.5	73	82.8	73	69.7	73	70.5	73	66.1	73	44.0	76	14	
16	54	74.3	64	74.1	64	70.5	64	57.8	70	72.0	70	64.7	70	70.5	70	61.5	70	40.9	74	16	
18	50	66.6	62	66.2	62	65.9	62	54.6	69	62.6	69	59.7	69	64.1	69	57.6	69	38.3	73	18	
20	45	59.1	59	58.5	59	59.8	59	51.6	67	54.1	67	54.6	67	56.3	67	53.9	67	35.8	72	20	
25	30	41.0	52	40.6	52	42.0	52	42.4	61	39.8	61	40.1	61	41.6	61	43.2	61	31.1	67	25	
30			43	29.7	43	30.8	43	31.5	55	29.3	55	29.5	55	31.0	55	32.3	55	27.5	63	30	
35			33	22.9	33	24.0	33	24.7	49	22.4	49	22.7	49	24.0	49	25.3	49	24.6	58	35	
40			17	18.2	17	19.0	17	19.7	42	17.7	42	18.1	42	19.2	42	20.5	42	20.5	53	40	
45									34	14.3	34	14.5	34	15.8	34	17.0	34	17.0	48	45	
50									21	11.8	21	12.0	21	13.2	21	14.3	21	14.4	41	50	
55																			35	55	
60																			26	60	
65																			12	65	
70																				70	
75																				75	
80																				80	
85																				85	
90																				90	
95																				95	
100																				100	
110																				110	
120																				120	
130																				130	
		Telescoping sequence %																			
Tel. 1	0	0	0	0	0	46	0	0	0	0	93	46	46	0	0	0	0	0	93	Tel. 1	
Tel. 2	0	46	0	0	46	93	46	0	0	0	46	93	46	46	0	0	0	0	46	Tel. 2	
Tel. 3	0	0	46	0	0	0	46	46	0	0	0	0	46	46	46	0	0	46	46	Tel. 3	
Tel. 4	0	0	0	46	0	0	0	0	46	93	0	0	0	0	46	93	0	0	46	Tel. 4	

Counterweight 0 lbs

Working Radius (ft)	Lifting capacities in 1,000 lbs according per SAE J765 on telescopic boom On outriggers, 360° working area Outrigger base 21.00 ft																												Working Radius (ft)		
	Boom length (ft)																														
	36.1		48.6		48.6		48.6		61.4		61.4		61.4		61.4		61.4		73.8		73.8		73.8		73.8		73.8				
°	L	°	L	°	L	°	L	°	L	°	L	°	L	°	L	°	L	°	L	°	L	°	L	°	L	°	L	°	L		
8	69	150.0*																												8	
9	68	133.4*																												9	
10	66	121.4	112.4	73	109.2	73	70.5	73	70.2	77	88.2	77	82.1	77	70.5	77	70.5	77	51.7											10	
12	62	101.6	96.3	69	96.0	69	70.5	69	65.8	75	87.5	75	75.4	75	70.5	75	69.9	75	47.5	78	69.9	78	77.1	78	70.5	78	70.5	78	49.7	12	
14	58	86.7	83.3	67	83.2	67	70.5	67	61.5	73	78.6	73	69.7	73	70.5	73	66.1	73	44.0	76	65.0	76	71.3	76	68.9	76	69.7	76	45.9	14	
16	54	75.3	72.8	64	71.0	64	70.2	64	57.8	70	64.3	70	63.5	70	65.9	70	61.5	70	40.9	74	57.5	74	59.5	74	60.5	74	63.0	74	42.5	16	
18	50	64.4	63.6	62	60.2	62	61.8	62	54.6	69	54.3	69	54.8	69	57.0	69	56.0	69	38.3	73	48.8	73	50.6	73	51.4	73	54.3	73	39.8	18	
20	45	53.8	54.5	59	50.5	59	52.1	59	51.2	67	45.5	67	45.9	67	48.1	67	50.1	67	35.8	72	40.8	72	42.5	72	43.4	72	46.2	72	37.3	20	
25	30	35.1	34.5	52	34.3	52	35.7	52	36.6	61	32.1	61	32.5	61	34.4	61	36.2	61	31.1	67	28.4	67	30.0	67	31.0	67	33.4	67	32.2	25	
30				43	23.1	43	24.2	43	25.1	55	22.5	55	22.9	55	24.4	55	26.0	55	26.2	63	21.6	63	21.6	63	23.8	63	25.9	63	27.3	30	
35				33	16.8	33	17.9	33	18.7	49	16.3	49	16.6	49	18.1	49	19.5	49	19.7	58	15.5	58	16.8	58	17.4	58	19.4	58	20.6	35	
40				17	12.5	17	13.3	17	14.2	42	11.9	42	12.4	42	13.7	42	15.0	42	15.3	53	11.3	53	12.4	53	13.1	53	14.9	53	15.9	40	
45										34	8.8	34	9.4	34	10.7	34	11.8	34	12.2	48	8.1	48	9.4	48	10.0	48	12.0	48	12.9	45	
50										21	6.5	21	7.2	21	8.4	21	9.7	21	9.9	41	5.9	41	6.9	41	7.7	41	9.7	41	10.6	50	
55																				35	4.0	35	5.1	35	5.9	35	7.8	35	8.7	55	
60																				26	2.5	26	3.7	26	4.4	26	6.2	26	7.2	60	
65																				12	1.4	12	2.6	12	3.0	12	5.0	12	5.9	65	
70																														70	
75																														75	
80																														80	
85																														85	
90																														90	
95																														95	
100																														100	
110																														110	
120																														120	
130																														130	
Telescoping sequence %																															
Tel. 1	0	0	0	0	0	46	0	0	0	0	0	0	0	0	0	0	0	0	0	93	46	46	0	0	0	0	0	0	0	Tel. 1	
Tel. 2	0	0	46	0	0	46	93	46	0	0	0	0	0	0	0	0	0	0	0	46	93	46	46	0	0	0	0	0	0	0	Tel. 2
Tel. 3	0	0	0	46	0	0	0	0	46	46	0	0	0	0	0	0	0	0	0	0	0	46	46	46	46	46	46	46	46	46	Tel. 3
Tel. 4	0	0	0	0	46	0	0	0	0	0	46	93	0	0	0	0	0	0	0	0	0	0	46	93	0	0	0	0	0	Tel. 4	

1) Over rear with superstructure pin engaged.
* With additional equipment.

Counterweight 0 lbs

Working Radius (ft)	Lifting capacities in 1,000 lbs according per SAE J765 on telescopic boom, On outriggers, 360° working area Outrigger base 14.44 ft												Working Radius (ft)	
	Boom length (ft)													
	36.1		48.6		61.4		61.4		61.4		61.4			
°	L	°	L	°	L	°	L	°	L	°	L	°	L	
10	66		90.0	73	89.9	77	51.7						10	
12	62		65.7	69	59.8	75	47.5						12	
14	58		50.7	67	47.4	73	42.9						14	
16	54		39.9	64	38.8	70	36.6						16	
18	50		32.0	62	32.6	69	31.4						18	
20	45		25.1	59	27.1	67	26.8						20	
25	30		15.9	52	17.5	61	18.6						25	
30			43	12.0	55	12.9	30						30	
35			33	8.6	49	9.5	35						35	
40			17	6.1	42	6.8	40						40	
45					34	5.2	45						45	
50					21	3.9	50						50	
55							55						55	
60							60						60	
Telescoping sequence %														
Tel. 1	0	0	0	0	0	0	0	0	0	0	0	0	0	Tel. 1
Tel. 2	0	0	0	0	0	0	0	0	0	0	0	0	0	Tel. 2
Tel. 3	0	0	0	0	0	0	0	0	0	0	0	0	0	Tel. 3
Tel. 4	0	0	46	0	93	0	0	0	0	0	0	0	0	Tel. 4

Counterweight 27,558 lbs

Working Radius (ft)	Lifting capacities in 1,000 lbs according per SAE J765 on fly jib 29.5 ft																Working Radius (ft)			
	On outriggers, 360° working area																			
	Outrigger base 21.00 ft																			
	Boom length 36.1 ft				Boom length 36.1 ft to 98.8 ft				Boom length 36.1 ft to 136.5 ft				Boom length 36.1 ft to 144.4 ft							
Fly jib 29.5 ft offset				Fly jib 29.5 ft offset				Fly jib 29.5 ft offset				Fly jib 29.5 ft offset								
0°				0°				0°				0°								
20°				20°				20°				20°								
40°				40°				40°				40°								
° L				° L				° L				° L								
10	76	23.1																		10
12	74	23.1																		12
14	72	23.1	79	23.1																14
16	70	23.1	78	23.1																16
18	69	23.1	77	23.1																18
20	67	23.1	75	23.0	81	19.5	79	23.1												20
25	62	23.1	69	21.1	76	18.2	77	22.6												25
30	57	22.6	64	19.5	70	17.1	75	21.0	79	16.8										30
35	51	19.8	58	18.3	64	16.1	73	19.1	77	15.7	80	13.7	78	13.2						35
40	45	17.6	52	17.1	58	15.4	71	17.7	75	14.7	78	12.9	76	12.5	79	11.4				40
45	38	16.0	45	16.1	50	14.9	68	16.3	72	13.8	75	12.3	74	11.6	77	10.9				45
50	30	14.6	37	15.3																50
55																				55
60																				60
65																				65
70																				70
75																				75
80																				80
85																				85
90																				90
95																				95
100																				100
110																				110
120																				120
130																				130
140																				140
150																				150
Telescoping sequence %																				
Tel. 1	0				93				93				100				Tel. 1			
Tel. 2	0				46				93				100				Tel. 2			
Tel. 3	0				46				93				100				Tel. 3			
Tel. 4	0				46				93				100				Tel. 4			

Counterweight 27,558 lbs

Working Radius (ft)	Lifting capacities in 1,000 lbs according per SAE J765 on fly jib 52.5 ft																Working Radius (ft)									
	On outriggers, 360° working area																									
	Outrigger base 21.00 ft																									
	Boom length 36.1 ft				Boom length 36.1 ft to 98.8 ft				Boom length 36.1 ft to 136.5 ft				Boom length 36.1 ft to 144.4 ft													
Fly jib 52.5 ft offset				Fly jib 52.5 ft offset				Fly jib 52.5 ft offset				Fly jib 52.5 ft offset														
0°				0°				0°				0°														
20°				20°				20°				20°														
40°				40°				40°				40°														
° L				° L				° L				° L														
10	79	17.4																		10						
12	78	17.4																		12						
14	76	17.4																		14						
16	75	17.4																		16						
18	74	17.1																		18						
20	73	16.7																		20						
25	70	15.2																		25						
30	67	13.8	77	11.2																30						
35	63	12.6	74	10.5																35						
40	59	11.6	70	9.6	79	8.6	74	10.6	80	10.1										40						
45	55	10.5	66	9.1	75	8.2	72	10.6	78	9.8										45						
50	51	9.7	61	8.6	70	7.7	70	10.6	76	9.4										50						
55	47	8.8	57	8.1	65	7.4	68	10.6	74	9.1	79	7.6	74	7.7	79	7.5				55						
60	42	8.1	52	7.7	60	7.2	67	10.5	73	8.8	78	7.5	73	7.7	78	7.2				60						
65	37	7.6	47	7.3	54	7.1	64	10.2	70	8.4	75	7.3	71	7.7	76	6.9				65						
70	31	7.1	41	7.1	46	6.9	62	9.7	68	8.1	73	7.1	70	7.3	75	6.5				70						
75	23	6.5	32	7.0	37	6.7	60	9.3	66	7.8	71	7.0	68	6.9	73	6.3	77	5.9	69	6.4	74	6.1	78	5.6	75	
80	14	6.0	21	6.8																						80
85																										85
90																										90
95																										95
100																										100
110																										110
120																										120
130																										130
140																										140
150																										150
Telescoping sequence %																										
Tel. 1	0				93				93				100				Tel. 1									
Tel. 2	0				46				93				100				Tel. 2									
Tel. 3	0				46				93				100				Tel. 3									
Tel. 4	0				46				93				100				Tel. 4									

Counterweight 27,558 lbs

Lifting capacities in 1,000 lbs according per SAE J765 on fly jib 29.5 ft
On outriggers, 360° working area
Outrigger base 14.44 ft

Working Radius (ft)	Boom length 36.1 ft				Boom length 36.1 ft to 98.8 ft				Boom length 36.1 ft to 136.5 ft				Boom length 36.1 ft to 144.4 ft				Working Radius (ft)		
	Fly jib 29.5 ft offset				Fly jib 29.5 ft offset				Fly jib 29.5 ft offset				Fly jib 29.5 ft offset						
	0°	0°	20°	40°	0°	20°	40°	0°	20°	40°	0°	20°	40°	0°	20°	40°			
10	76	23.1																10	
12	74	23.1																12	
14	72	23.1	79	23.1														14	
16	70	23.1	78	23.1			81	23.1										16	
18	69	23.1	77	23.1			80	23.1										18	
20	67	23.1	75	23.0	81	19.5	79	23.1										20	
25	62	23.1	69	21.1	76	18.2	77	22.6			80	13.2						25	
30	57	22.6	64	19.5	70	17.1	75	21.0	79	16.8		79	13.2			80	11.9	30	
35	51	19.8	58	18.3	64	16.1	73	19.1	77	15.7	80	13.7	78	13.2		78	11.9	35	
40	45	17.6	52	17.1	58	15.4	71	16.4	75	14.7	78	12.9	76	12.5	79	11.4		40	
45	38	16.0	45	16.1	50	14.9	68	13.7	72	13.8	75	12.3	74	11.6	77	10.9		45	
50	30	13.7	37	14.1			66	11.3	70	12.2	72	11.7	73	10.8	76	10.3	78	9.4	50
55							63	9.3	67	10.3	70	10.8	71	9.6	74	9.7	76	9.0	55
60							61	7.7	65	8.6	67	9.4	70	8.1	73	9.0	75	8.5	60
65							58	6.3	62	7.2	64	7.9	68	6.8	70	7.7	72	8.2	65
70							55	5.3	59	6.0	61	6.5	66	5.7	69	6.5	71	7.0	70
75							52	4.4	56	5.0	58	5.4	64	4.7	67	5.4	69	5.8	75
80							49	3.6	53	4.2	55	4.5	62	3.8	65	4.5	67	4.9	80
85							46	2.9	50	3.4	52	3.8	60	3.1	63	3.8	65	4.2	85
90							43	2.2	46	2.7	48	3.0	58	2.6	61	3.1	63	3.4	90
95							40	1.7	43	2.1	44	2.3	56	2.1	59	2.5	61	2.8	95
100							36	1.2	39	1.6	40	1.8	53	1.6	56	2.0	58	2.3	100
110																	53	1.3	110
120																			120
Telescoping sequence %																			
Tel. 1	0				93				93				100				Tel. 1		
Tel. 2	0				46				93				100				Tel. 2		
Tel. 3	0				46				93				100				Tel. 3		
Tel. 4	0				46				93				100				Tel. 4		

Counterweight 27,558 lbs

Lifting capacities in 1,000 lbs according per SAE J765 on fly jib 52.5 ft
On outriggers, 360° working area
Outrigger base 14.44 ft

Working Radius (ft)	Boom length 36.1 ft				Boom length 36.1 ft to 98.8 ft				Boom length 36.1 ft to 136.5 ft				Boom length 36.1 ft to 144.4 ft				Working Radius (ft)		
	Fly jib 52.5 ft offset				Fly jib 52.5 ft offset				Fly jib 52.5 ft offset				Fly jib 52.5 ft offset						
	0°	0°	20°	40°	0°	20°	40°	0°	20°	40°	0°	20°	40°	0°	20°	40°			
10	79	17.4																10	
12	78	17.4																12	
14	76	17.4																14	
16	75	17.4																16	
18	74	17.1																18	
20	73	16.7				81	10.6											20	
25	70	15.2				79	10.6											25	
30	67	13.8	77	11.2		77	10.6				81	7.7				81	7.3	30	
35	63	12.6	74	10.5		75	10.6				79	7.7				80	7.3	35	
40	59	11.6	70	9.6	79	8.6	74	10.6	80	10.1		78	7.7			79	7.3	40	
45	55	10.5	66	9.1	75	8.2	72	10.6	78	9.8		76	7.7			77	7.3	45	
50	51	9.7	61	8.6	70	7.7	70	10.6	76	9.4		75	7.7			76	7.3	50	
55	47	8.8	57	8.1	65	7.4	68	9.9	74	9.1	79	7.6	74	7.7	79	7.5		55	
60	42	8.1	52	7.7	60	7.2	67	8.6	73	8.8	78	7.5	73	7.6	78	7.2		60	
65	37	7.6	47	7.3	54	7.1	64	7.2	70	8.4	75	7.3	71	7.1	76	6.9		65	
70	31	7.1	41	7.1	46	6.9	62	6.0	68	7.3	73	7.1	70	6.2	75	6.5		70	
75	23	6.5	32	7.0	37	6.7	60	5.0	66	6.3	71	6.8	68	5.2	73	6.1	77	5.9	75
80	14	6.0	21	6.8			58	4.2	63	5.3	68	6.2	67	4.2	72	5.5	75	5.7	80
85							55	3.6	61	4.5	65	5.3	65	3.6	70	4.7	73	5.5	85
90							53	2.9	59	3.8	63	4.5	64	2.9	69	4.0	72	4.7	90
95							51	2.3	57	3.2	60	3.8	62	2.3	67	3.3	70	4.0	95
100							48	1.9	54	2.7	57	3.1	60	1.9	65	2.7	68	3.4	100
110									48	1.7	51	2.1			61	1.7	64	2.4	110
120																	59	1.4	120
Telescoping sequence %																			
Tel. 1	0				93				93				100				Tel. 1		
Tel. 2	0				46				93				100				Tel. 2		
Tel. 3	0				46				93				100				Tel. 3		
Tel. 4	0				46				93				100				Tel. 4		

Counterweight 13,228 lbs

Working Radius (ft)		Lifting capacities in 1,000 lbs according per SAE J765 on fly jib 29.5 ft																								Working Radius (ft)	
		On outriggers, 360° working area																									
		Outrigger base 14.44 ft																									
		Boom length 36.1 ft						Boom length 36.1 ft to 98.8 ft						Boom length 36.1 ft to 136.5 ft						Boom length 36.1 ft to 144.4 ft							
Fly jib 29.5 ft offset						Fly jib 29.5 ft offset						Fly jib 29.5 ft offset						Fly jib 29.5 ft offset									
0°		20°		40°		0°		20°		40°		0°		20°		40°		0°		20°		40°					
°	L	°	L	°	L	°	L	°	L	°	L	°	L	°	L	°	L	°	L	°	L	°	L				
10	76	23.1																						10			
12	74	23.1																						12			
14	72	23.1	79	23.1																				14			
16	70	23.1	78	23.1																				16			
18	69	23.1	77	23.1																				18			
20	67	23.1	75	23.0	81	19.5	79	23.1																20			
25	62	23.1	69	21.1	76	18.2	77	21.4																25			
30	57	22.4	64	19.5	70	17.1	75	17.1	79	16.8														30			
35	51	17.5	58	18.0	64	16.1	73	13.9	77	15.2	80	13.7	78	12.5										35			
40	45	14.0	52	14.9	58	15.1	71	11.2	75	12.7	78	12.8	76	10.4	79	11.3								40			
45	38	11.5	45	12.2	50	12.6	68	9.0	72	10.4	75	11.3	74	8.7	77	9.8								45			
50	30	9.5	37	10.0																				50			
55																								55			
60																								60			
65																								65			
70																								70			
75																								75			
80																								80			
85																								85			
90																								90			
95																								95			
100																								100			
Telescoping sequence %																											
Tel. 1	0						93						93						100						Tel. 1		
Tel. 2	0						46						93						100						Tel. 2		
Tel. 3	0						46						93						100						Tel. 3		
Tel. 4	0						46						93						100						Tel. 4		

Counterweight 13,228 lbs

Working Radius (ft)		Lifting capacities in 1,000 lbs according per SAE J765 on fly jib 52.5 ft																								Working Radius (ft)	
		On outriggers, 360° working area																									
		Outrigger base 14.44 ft																									
		Boom length 36.1 ft						Boom length 36.1 ft to 98.8 ft						Boom length 36.1 ft to 136.5 ft						Boom length 36.1 ft to 144.4 ft							
Fly jib 52.5 ft offset						Fly jib 52.5 ft offset						Fly jib 52.5 ft offset						Fly jib 52.5 ft offset									
0°		20°		40°		0°		20°		40°		0°		20°		40°		0°		20°		40°					
°	L	°	L	°	L	°	L	°	L	°	L	°	L	°	L	°	L	°	L	°	L	°	L				
10	79	17.4																						10			
12	78	17.4																						12			
14	76	17.4																						14			
16	75	17.4																						16			
18	74	17.1																						18			
20	73	16.7																						20			
25	70	15.2																						25			
30	67	13.8	77	11.2																				30			
35	63	12.6	74	10.5																				35			
40	59	11.6	70	9.6	79	8.6	74	10.5	80	10.1														40			
45	55	10.5	66	9.1	75	8.2	72	9.4	78	9.8														45			
50	51	9.7	61	8.6	70	7.7	70	7.9	76	9.3														50			
55	47	8.8	57	8.1	65	7.4	68	6.4	74	8.3	79	7.6	74	6.1	79	7.4								55			
60	42	7.7	52	7.7	60	7.2	67	5.1	73	6.8	78	7.4	73	5.1	78	6.6								60			
65	37	6.7	47	7.3	54	7.1	64	4.1	70	5.5	75	6.7	71	4.1	76	5.6								65			
70	31	5.9	41	6.4	46	6.6	62	3.2	68	4.6	73	5.6	70	3.2	75	4.6								70			
75	23	5.1	32	5.5	37	6.1	60	2.5	66	3.7	71	4.6	68	2.5	73	3.7	77	4.8						75			
80	14	4.5	21	4.6																				80			
85																								85			
90																								90			
95																								95			
100																								100			
Telescoping sequence %																											
Tel. 1	0						93						93						100						Tel. 1		
Tel. 2	0						46						93						100						Tel. 2		
Tel. 3	0						46						93						100						Tel. 3		
Tel. 4	0						46						93						100						Tel. 4		

Counterweight 0 lbs

Working Radius (ft)		Lifting capacities in 1,000 lbs according per SAE J765 on fly jib 29.5 ft																								Working Radius (ft)	
		On outriggers, 360° working area																									
		Outrigger base 21.00 ft																									
		Boom length 36.1 ft						Boom length 36.1 ft to 98.8 ft						Boom length 36.1 ft to 136.5 ft						Boom length 36.1 ft to 144.4 ft							
Fly jib 29.5 ft offset						Fly jib 29.5 ft offset						Fly jib 29.5 ft offset						Fly jib 29.5 ft offset									
0°		20°		40°		0°		20°		40°		0°		20°		40°		0°		20°		40°					
°	L	°	L	°	L	°	L	°	L	°	L	°	L	°	L	°	L	°	L	°	L	°	L				
10	76	23.1																						10			
12	74	23.1																							12		
14	72	23.1	79	23.1																					14		
16	70	23.1	78	23.1																					16		
18	69	23.1	77	23.1																					18		
20	67	23.1	75	23.0	81	19.5	79	23.1																	20		
25	62	23.1	69	21.1	76	18.2	77	22.6																	25		
30	57	22.6	64	19.5	70	17.1	75	20.3	79	16.8															30		
35	51	19.8	58	18.3	64	16.1	73	16.2	77	15.7	80	13.7	78	13.2											35		
40	45	17.2	52	16.9	58	15.4	71	13.2	75	14.5	78	12.9	76	12.1	79	11.4									40		
45	38	13.9	45	14.5	50	14.9	68	11.4	72	12.7	75	12.3	74	9.9	77	10.9									45		
50	30	11.6	37	12.2																					50		
55																									55		
60																									60		
65																									65		
70																									70		
75																									75		
80																									80		
85																									85		
90																									90		
95																									95		
100																									100		
Telescoping sequence %																											
Tel. 1	0						93						93						100						Tel. 1		
Tel. 2	0						46						93						100						Tel. 2		
Tel. 3	0						46						93						100						Tel. 3		
Tel. 4	0						46						93						100						Tel. 4		

Counterweight 0 lbs

Working Radius (ft)		Lifting capacities in 1,000 lbs according per SAE J765 on fly jib 52.5 ft																								Working Radius (ft)	
		On outriggers, 360° working area																									
		Outrigger base 21.00 ft																									
		Boom length 36.1 ft						Boom length 36.1 ft to 98.8 ft						Boom length 36.1 ft to 136.5 ft						Boom length 36.1 ft to 144.4 ft							
Fly jib 52.5 ft offset						Fly jib 52.5 ft offset						Fly jib 52.5 ft offset						Fly jib 52.5 ft offset									
0°		20°		40°		0°		20°		40°		0°		20°		40°		0°		20°		40°					
°	L	°	L	°	L	°	L	°	L	°	L	°	L	°	L	°	L	°	L	°	L	°	L				
10	79	17.4																							10		
12	78	17.4																							12		
14	76	17.4																							14		
16	75	17.4																							16		
18	74	17.1																							18		
20	73	16.7																							20		
25	70	15.2																							25		
30	67	13.8	77	11.2																					30		
35	63	12.6	74	10.5																					35		
40	59	11.6	70	9.6	79	8.6	74	10.6	80	10.1															40		
45	55	10.5	66	9.1	75	8.2	72	10.6	78	9.8															45		
50	51	9.7	61	8.6	70	7.7	70	9.6	76	9.4															50		
55	47	8.8	57	8.1	65	7.4	68	8.1	74	9.0	79	7.6	74	7.3	79	7.5									55		
60	42	8.1	52	7.7	60	7.2	67	6.4	73	8.3	78	7.5	73	6.4	78	7.2									60		
65	37	7.6	47	7.3	54	7.1	64	5.0	70	6.8	75	7.3	71	5.0	76	6.9									65		
70	31	6.9	41	7.1	46	6.9	62	4.1	68	5.6	73	6.7	70	4.1	75	5.7									70		
75	23	6.1	32	6.5	37	6.7	60	3.2	66	4.6	71	5.7	68	3.2	73	4.6	77	5.6							75		
80	14	5.3	21	5.5																					80		
85																									85		
90																									90		
95																									95		
100																									100		
Telescoping sequence %																											
Tel. 1	0						93						93						100						Tel. 1		
Tel. 2	0						46						93						100						Tel. 2		
Tel. 3	0						46						93						100						Tel. 3		
Tel. 4	0						46						93						100						Tel. 4		