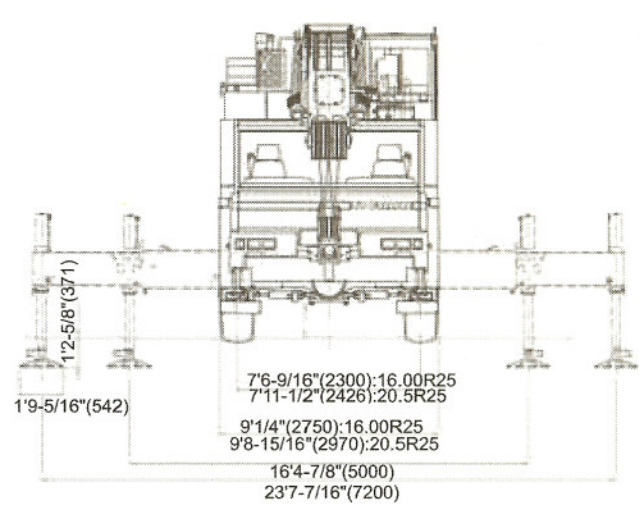
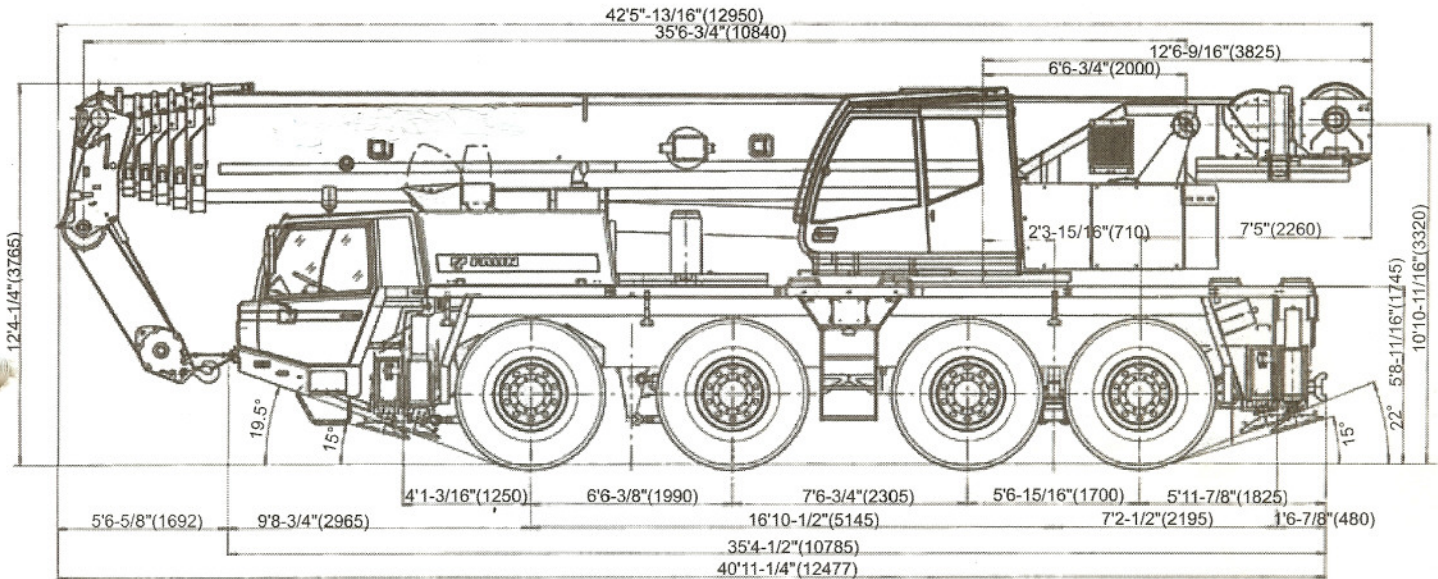


ATF80-4

100 Ton Capacity (90.7 Metric Tons)

ALL TERRAIN CRANE

DIMENSIONS



TURNING RADIUS

Steering	Front wheel (8x4)	All wheel (8x8)
Carrier inside	22' 3-11/16" (6.8m)	14' 5-1/4" (4.4m)
Over carrier	40' 8-3/16" (12.4m)	30' 8-1/8" (9.35m)
Over boom	42' 7-13/16" (13.0m)	34' 5-3/8" (10.5m)
Over boom extension	44' 3-1/2" (13.5m)	36' 1-1/16" (11.0m)
Wheel truck radius	34' 9-5/16" (10.6m)	26' 6-7/8" (8.1m)